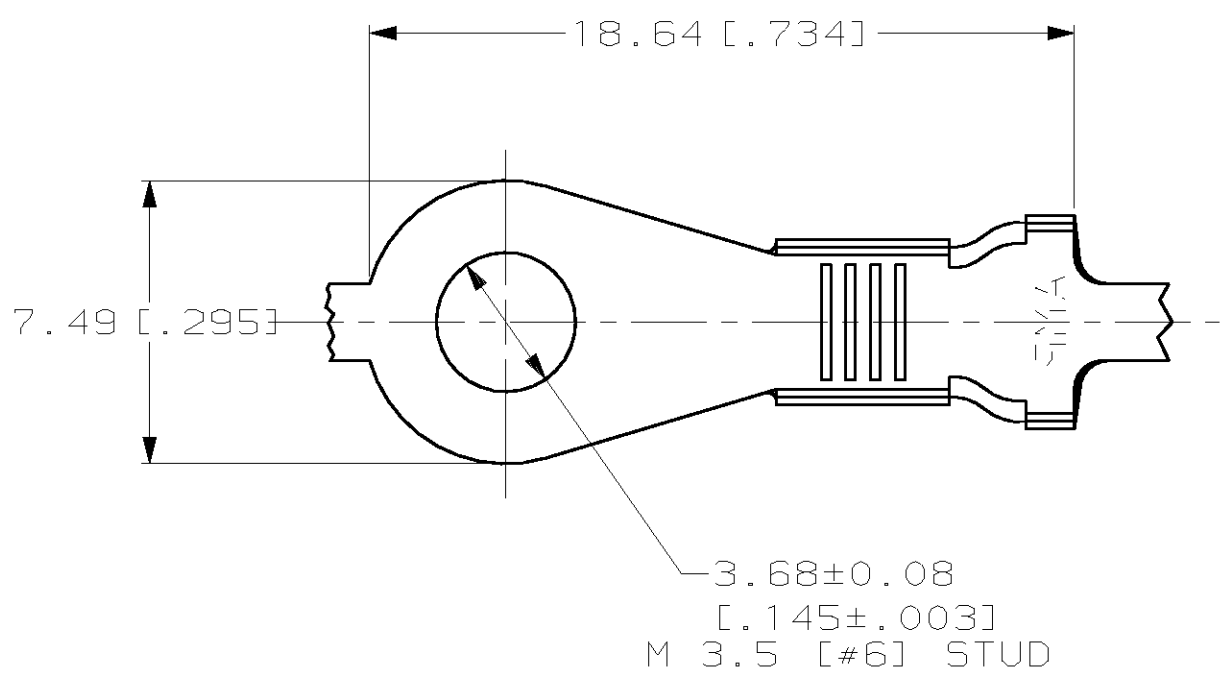
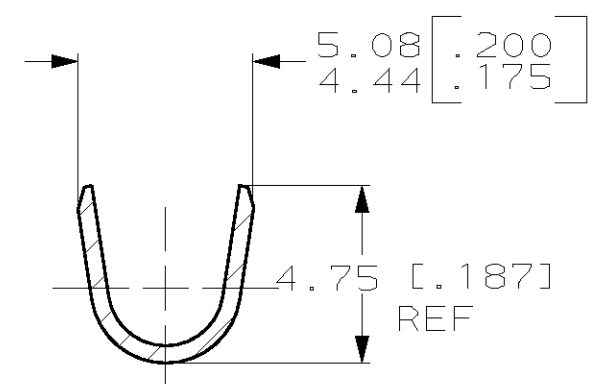
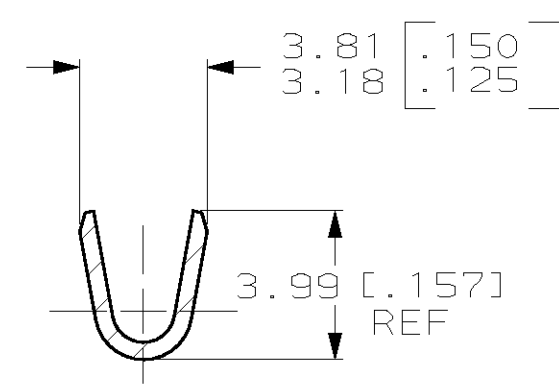
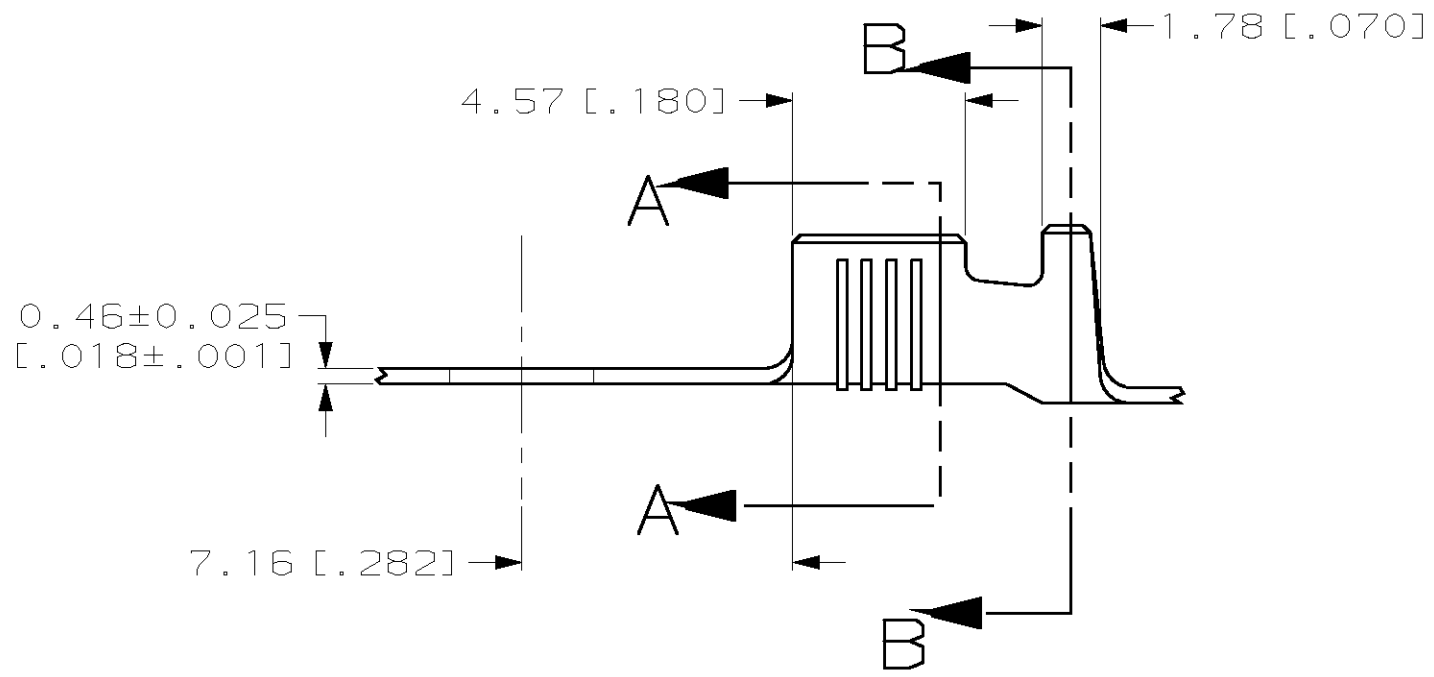


THIS DRAWING IS UNPUBLISHED. RELEASED FOR PUBLICATION, 19 .
 © COPYRIGHT 19 BY AMP INCORPORATED. ALL RIGHTS RESERVED.

LOC		DIST		REVISIONS			
P	LTR	DESCRIPTION		DATE	DWN	APVD	
AF	50	H		REDRAWN PER 0G1A-0144-99	29JUN99	JR	DD



- 1 CONTINUOUS STRIP ON REELS.
- 2 WIRE SIZE IS [#18-#14] AWG
- 3 INSULATION RANGE IS 2.54-3.56 [.100-.140] DIA.
- 4 REELING WITH BBL5 UP.



SECTION A-A

SECTION B-B

TIN	60770-2
-	60770-1
FINISH	PART NO.

THIS DRAWING IS A CONTROLLED DOCUMENT.		DWN	JR RUTH	29JUN99	AMP Incorporated Harrisburg, PA 17105-3608						
DIMENSIONS: MM [INCHES]		CHK	MS FEHER	29JUN99							
		APVD	D DECKER	29JUN99							
TOLERANCES UNLESS OTHERWISE SPECIFIED:		PRODUCT SPEC		NAME							
0 PLC ±- 1 PLC ±- 2 PLC ±0.38 [.015] 3 PLC ±- 4 PLC ±- ANGLES ±-		APPLICATION SPEC		SIZE	CAGE CODE	DRAWING NO	RESTRICTED TO				
MATERIAL 081 BRASS		FINISH SEE TABLE		WEIGHT -		A300779	C- 60770	-			
CUSTOMER DRAWING						SCALE	5:1	SHEET	1 OF 1	REV	H